

## 11. Spare parts list

### 11.1 Using the spare parts list

The spare parts list is not a mounting or dismounting instruction. The only purpose of the spare parts list is to easily and quickly find spare parts which can be ordered with distribution agencies, see chapter 11.1.3 "Distribution agencies".

#### 11.1.1 Safety regulation



**Danger: Mounting or dismounting assembly groups can give rise to risks which are not mentioned in the spare parts list!**

Using this spare parts list for mounting or dismounting purposes is not permitted. For assembly and disassembly work exclusively the corresponding descriptions in this operating manual are to be followed.



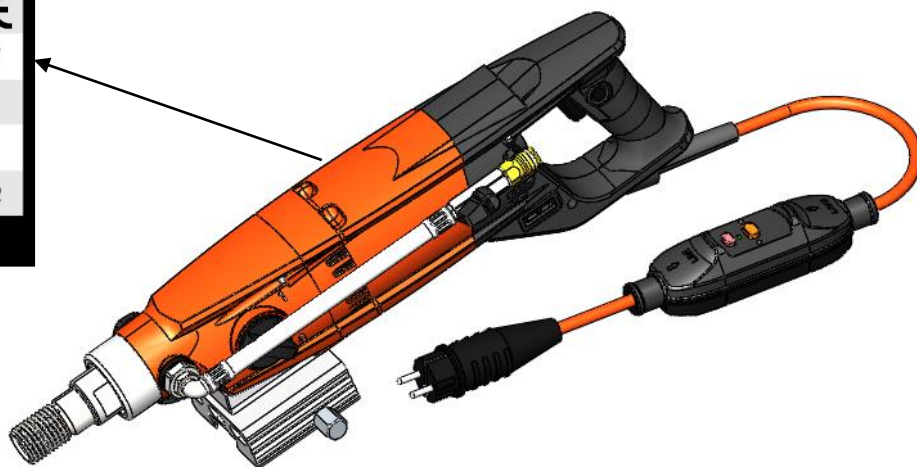
**Danger: Non-observance of this instruction can result in injury which, in the worst case, can result in death!**




#### 11.1.2 Ordering information



**Note: In order to avoid wrong deliveries the information the ordering information should be checked for accuracy and completeness before sending it! Completely indicate the delivery address!**

GÖLZ®				
HDM22				230V
Ser.Nr.				CE
9,5 A	50-60Hz			2200 W
				1 ~
RPM	520	1400	2900	
Ømax	200	55	25	MFD2022



		
<b>So bekommen Sie schnell und richtig Ihr Ersatzteil</b>	<b>Always indicate</b>	<b>Pour obtenir rapidement les pièces de rechange indiquer</b>
<ul style="list-style-type: none"> <li>• Maschinentyp gemäß Typenschild</li> <li>• Baujahr gemäß Typenschild</li> <li>• Artikelnummer gemäß Ersatzteilliste</li> <li>• Maschinenummer gemäß Typenschild</li> </ul>	<ul style="list-style-type: none"> <li>• machine type according to nameplate</li> <li>• year of manufacture according to nameplate</li> <li>• order number according to spare part list</li> <li>• serial number according to nameplate</li> </ul>	<ul style="list-style-type: none"> <li>• type de la machine conforme de plaque d'identification</li> <li>• Année de construction selon plaque d'identification</li> <li>• Numéro de l'article selon la liste des pièces de rechange</li> <li>• numéro de la machine conforme de plaque d'identification</li> </ul>
Für Bestellungen, Fragen und Informationen wenden Sie sich bitte an die zuständigen Stellen	For orders, questions and information, please contact the competent departments.	Pour les commandes, questions et informations, veuillez-vous adresser aux points de ventes correspondants.

## 11.1.3 Distribution agencies

<b>Deutschland – Germany - Allemagne</b> GÖLZ® GmbH Dommersbach 51 DE-53940 Hellenthal Tel: +49 (0)2482-12 200 Fax: +49 (0)2482-12 222 E-Mail: <a href="mailto:info@goelz.de">info@goelz.de</a> / Internet: <a href="http://www.goelz.de">www.goelz.de</a>	
<b>Österreich - Austria - Autriche</b> GÖLZ® Ges.m.b.H Samstraße 52 A-5020 Salzburg Tel: +43 (0) 662 - 43 81 75 Fax: +43 (0) 662 - 43 07 34 E-Mail: <a href="mailto:info@goelz.at">info@goelz.at</a> / Internet: <a href="http://www.goelz.at">www.goelz.at</a>	<b>Frankreich - France - France</b> GÖLZ® S.A.S. 1, rue de la Mairie F-67370 Berstett Tel: +33 (0)3.88.59.43.00 Fax: +33 (0)3.88.59.47.77 E-Mail: <a href="mailto:info@golz.fr">info@golz.fr</a> / Internet: <a href="http://www.golz.fr">www.golz.fr</a>
<b>Großbritannien - Great Britain - Grande-Bretagne</b> GÖLZ® (UK) Ltd. Unit A5, Springhead, Enterprise Park Northfleet Kent DA11 8HB Tel: +44 1 474321679 Fax: +44 1 474321477 E-Mail: <a href="mailto:info@goelz.co.uk">info@goelz.co.uk</a> / Internet: <a href="http://www.goelz.co.uk">www.goelz.co.uk</a>	<b>Benelux</b> GÖLZ® Benelux Eupener Straße 61 BE-4731 Raeren-Eynatten Tel: +49 (0)2482-12 200 Fax: +49 (0)2482-12 222 E-Mail: <a href="mailto:benelux@goelz.de">benelux@goelz.de</a> / Internet: <a href="http://www.goelz-online.com">www.goelz-online.com</a>
<b>Australien - Australia - Australie</b> GOLZ® Pty Ltd. 44 Stanley Street Peakhurst, NSW 2210 Tel: +61 (0) 2 9534 5599 Fax: +61 (0) 2 9534 5588 E-mail: <a href="mailto:info@golz.com.au">info@golz.com.au</a> / Internet: <a href="http://www.golz.com.au">www.golz.com.au</a>	<b>USA</b> GOLZ® L.L.C. 5860 East Osage Ridge Lane Columbia MO 65203-6018 Tel: +1 573 474 4961 E-Mail: <a href="mailto:info@golzusa.com">info@golzusa.com</a> / Internet: <a href="http://www.goelz-online.com">www.goelz-online.com</a>

## 11.2 Wearing parts

**Wearing parts for construction devices mentioned in the operating manual such as drilling and sawing machines.**

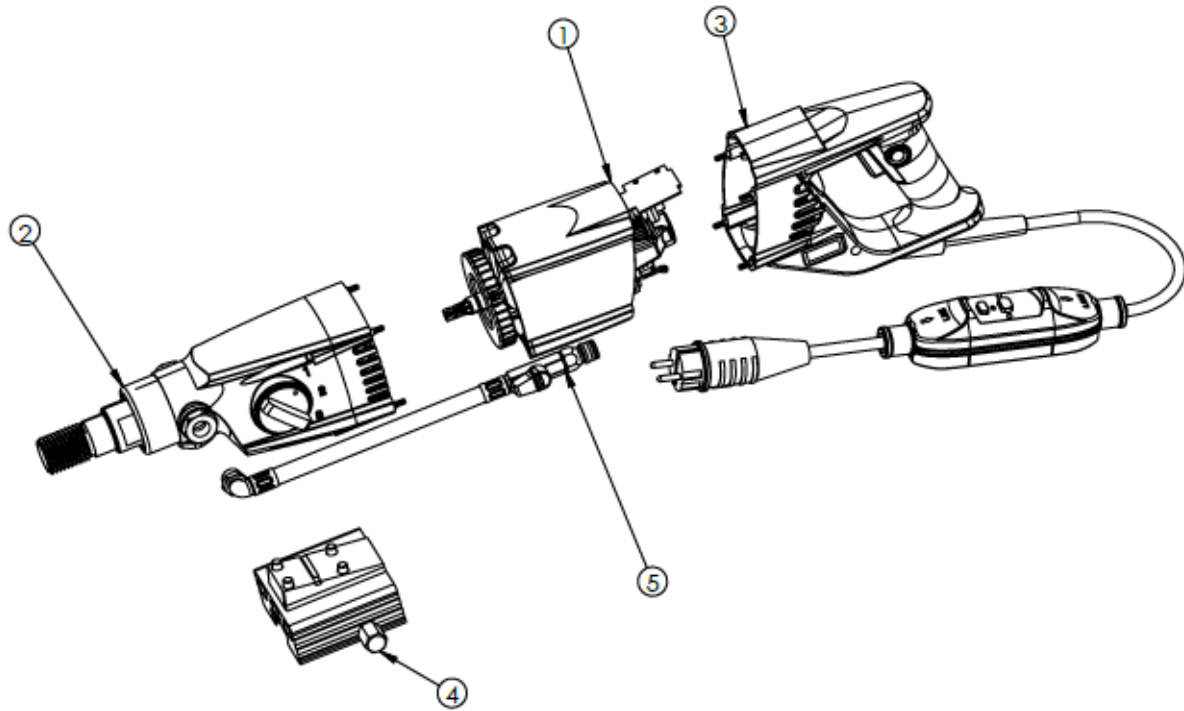
Wearing parts are the parts subject to operation-related (natural) wear during proper use of the device. The wearing time cannot be uniformly defined, and differs according to the intensity of use. The wearing parts must be adjusted, maintained and, if necessary, replaced for the specific device in accordance with the manufacturer's operating manual. Operation-related wear is not a reason for defect claims.

**Wearing parts of this machine are grey marked in the spare parts list.**

- Feed and drive elements such as toothed racks, gearwheels, pinions, spindles, spindle nuts, spindle bearings, cables, chains, sprockets, belts
- Seals, cables, hoses, packings, connectors, couplings and switches for pneumatic, hydraulic, water, electrical and fuel systems
- Guide elements such as guide strips, guide bushes, guide rails, rollers, bearings, sliding protection supports
- Clamping elements for quick-separating systems
- Flushing head seals
- Slide and roller bearings that do not run in an oil bath
- Shaft oil seals and sealing elements
- Friction and safety clutches, braking devices
- Carbon brushes, commutators / armatures
- Easy-release rings
- Control potentiometers and manual switching elements
- Securing elements such as plugs, anchors, screws and bolts
- Fuses and lamps
- Auxiliary and operating materials
- Bowden cables
- Discs
- Diaphragms
- Spark plugs, glow plugs
- Parts of the reversing starter such as the starting rope, starting pawl, starting roller and starting spring
- Sealing brushes, rubber seals, splash protection cloths
- Filters of all kinds
- Drive rollers, deflection rollers and bandages
- Cable anti-twist elements
- Running and drive wheels
- Water pumps
- Cut-material transport rollers
- Drilling, parting and cutting tools
- Energy storage

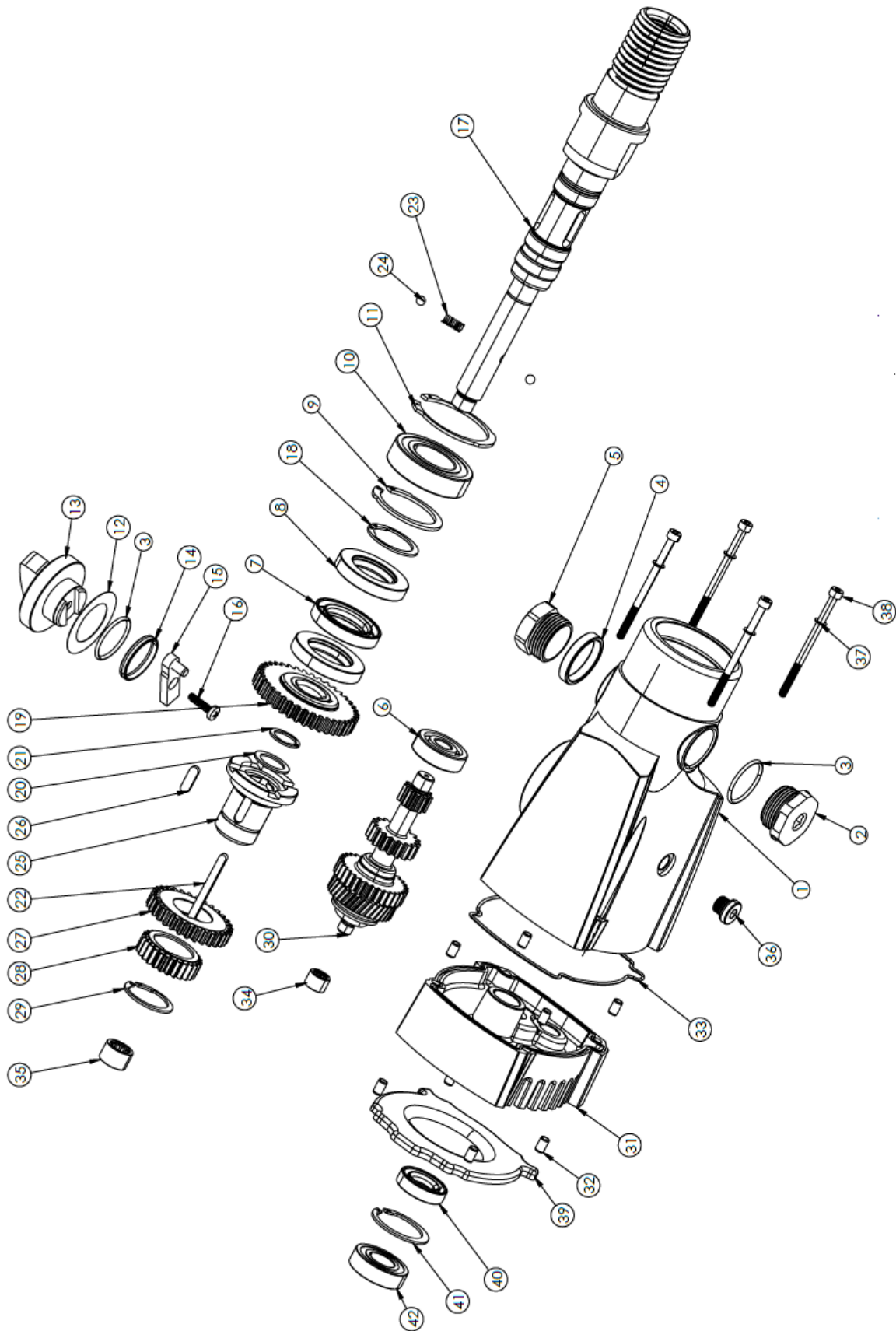
## 12. Exploded view and spare parts list

### 12.1 Machine

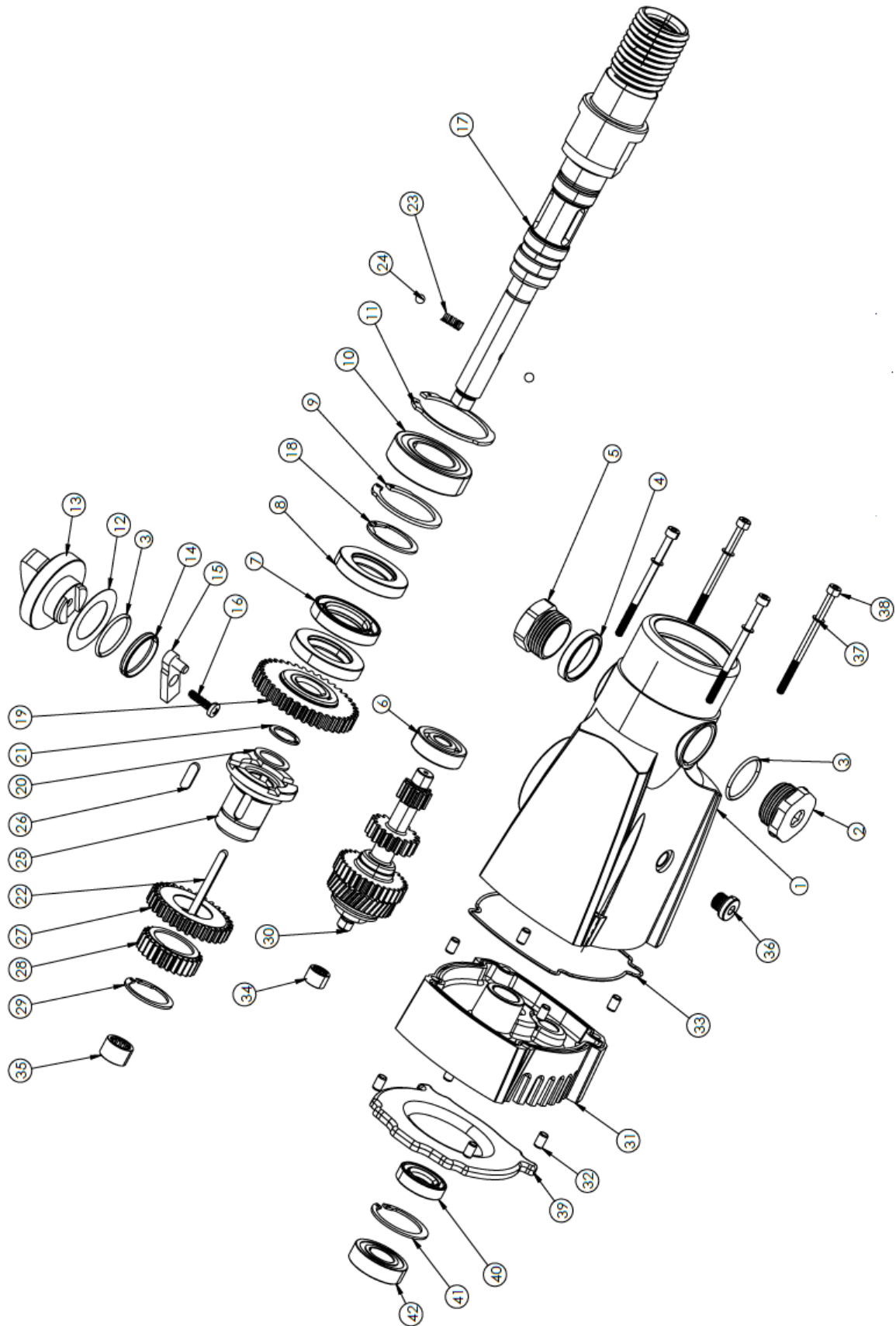


Pos.	Art.-Nr.	Menge Qty.	Norm	Info	Bezeichnung	Description	Désignation
1	CDM000001 -	1			Motor kpl.	Engine complete	Moteur complète
2	CDM000003 -	1			Getriebe kpl.	Gear box complete	Boite de vitesses complète
3	CDM000008 -	1			Griff kpl.	Handle complete	Poignée complète
4	CDM000009 0288 600 9017	1			STS System kpl.	STS-System complete	Système STS complète
5	CDM000010 0288 600 9016	1			Wasseranschluss kpl.	Water supply complete	Raccordement de l'eau complète

## 12.2 Gear



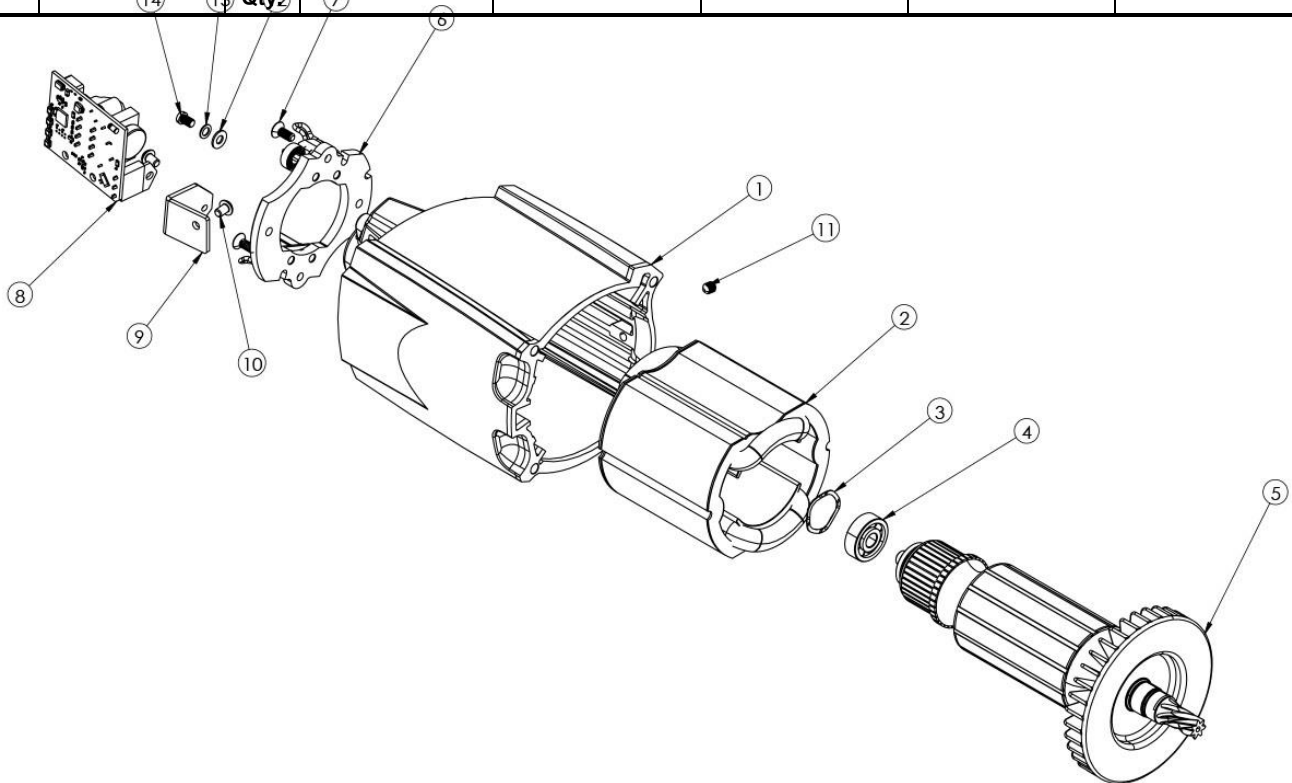
Pos.	Art.-Nr.	Menge Qty.	Norm	Info	Bezeichnung	Description	Désignation
1	C04022511 0288 600 9031	1			Getriebegehäuse	Gear box	Boite de vitesse
2	C04022512 -	2			Verschlusschraube	Screw type plug	Vis d'arrêt
3	C03020219 0288 600 9009	3			O-Ring	O-ring	Joint torique
4	C03020220 0288 600 9030	1			Dichtungsring	Sealing ring	Rondelle de joint
5	C04022513 0288 600 9029	1			Buchse	Bushing	Douille
6	C02050045 B900486	1			Kugellager	Ball bearing	Roulement rainuré à billes
7	C03020221 B900020	1			Wellendichtring	Shaft seal	Joint d'arbre
8	C03020222 B900019	2			Wellendichtring	Shaft seal	Joint d'arbre
9	C02030072 EE80201493	1		JV40 40x1.75	Sprengring	Circlip	Circlip
10	C02050040 0288 400 9040	1		6005-2RS	Kugellager	Ball bearing	Roulement rainuré à billes
11	C02030073 -	1		JV47	Sprengring	Circlip	Circlip
12	C02030074 EE80200524	1	ISO 4759-3-A	25 x 40 x 0.3	Scheibe	Thin washer	Rondelle
13	C03010277 0288 600 9010	1			Schalthebel	Shift handle	Levier de commande
14	C04022514 -	1			Buchse	Bushing	Douille
15	CDM000004 0288 600 9028	1			Schalthebel kpl.	Shift handle complete	Levier de commande complète
16	C02010325 B900623	1			Schraube	Screw	Vis
17	CDM000005 0288 600 9027	1			Welle kpl.	Spindle complete	Arbre complète
18	C02030075 0288 600 9022	1		AV25 x 1.2	Sprengring	Circlip	Circlip
19	CDM000006 B40114	1			Gewindespindel kpl.	Gear spindle complete	Broche d'engrenage complète
20	C02030076 -	1			Scheibe	Washer	Rondelle
21	C02030077 B800002	1		AV15	Sprengring	Circlip	Circlip
22	C02040034 -	1		4x4x45	Passfeder	Flat key	Clavette
23	C04022515 B900013	1			Feder	Press spring	Ressort
24	C04022516 B900014	2			Stahlkugel	Steel ball	Bille acier
25	C04022517 B300882	1			Gleitbuchse	Sliding bushing	Douille
26	C02040035 -	1		5x3x16	Passfeder	Flat key	Clavette
27	C04022518 B300775	1			Zahnrad 2	Gear 2	Engrenage 2
28	C04022519 B300883	1			Zahnrad 3	Gear 3	Engrenage 3
29	C02030078 B803291	1		AV24	Sprengring	Circlip for spindle	Circlip
30	CDM000007 -	1			Zahnrad kpl.	Gear complete	Pignon complète
31	C04022520 0288 600 9026	1			Zwischenflansch	Intermediate flange	Bride intermédiaire
32	C04022521 0288 600 9025	8		4x5x8	Hülse	Sleeve	Douille
33	C03020223 -	1		120x1,5	O-Ring	O-ring	Joint torique



Pos.	Art.-Nr.	Menge Qty.	Norm	Info	Bezeichnung	Description	Désignation
34	C02050046 B900170	1		HK0808	Nadelhülse	Needling bearing	Douille d'aiguille
35	C02050047 -	1		HK1210	Nadelhülse	Needling bearing	Douille d'aiguille
36	C04022522 -	1		G1/8"	Stopfen	Plug	Bouchon
37	C02030062 B800076	4			Sicherungsscheibe	Lock washers with double faced printing	Rondelle d'arrêt
38	C02010326 -	4		M4x65	Schraube	Socket head cap screw	Vis
39	C03010278 -	1			Luftleitblech	Air deflector	Défecteur
40	C03020183 0288 400 9036	1			Wellendichtring	Shaft seal	Joint d'arbre
41	C02030065 B901094	1			Sprengring	Circlip for hole	Circlip
42	C02050039 0288 400 9037	1			Kugellager	Ball bearing	Roulement rainuré à billes

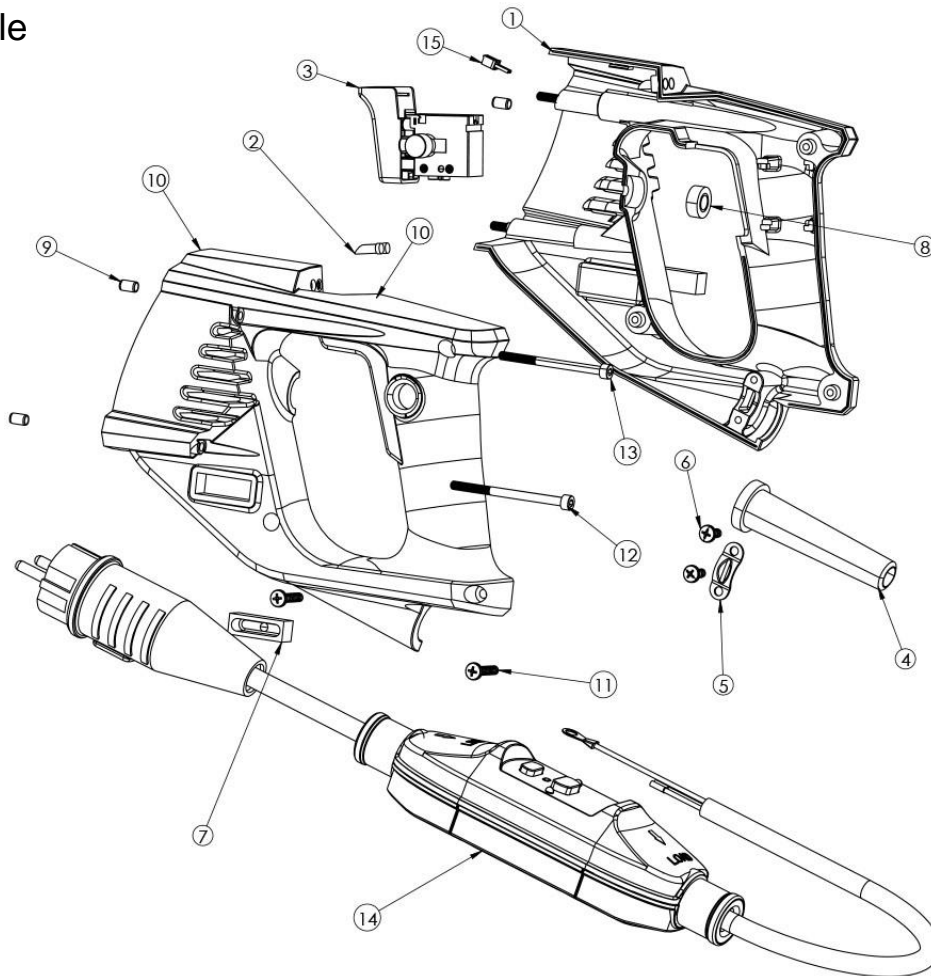
## 12.3 Motor

Pos.	Art.-Nr.	Menge Qty	Norm	Info	Bezeichnung	Description	Désignation
------	----------	-----------	------	------	-------------	-------------	-------------



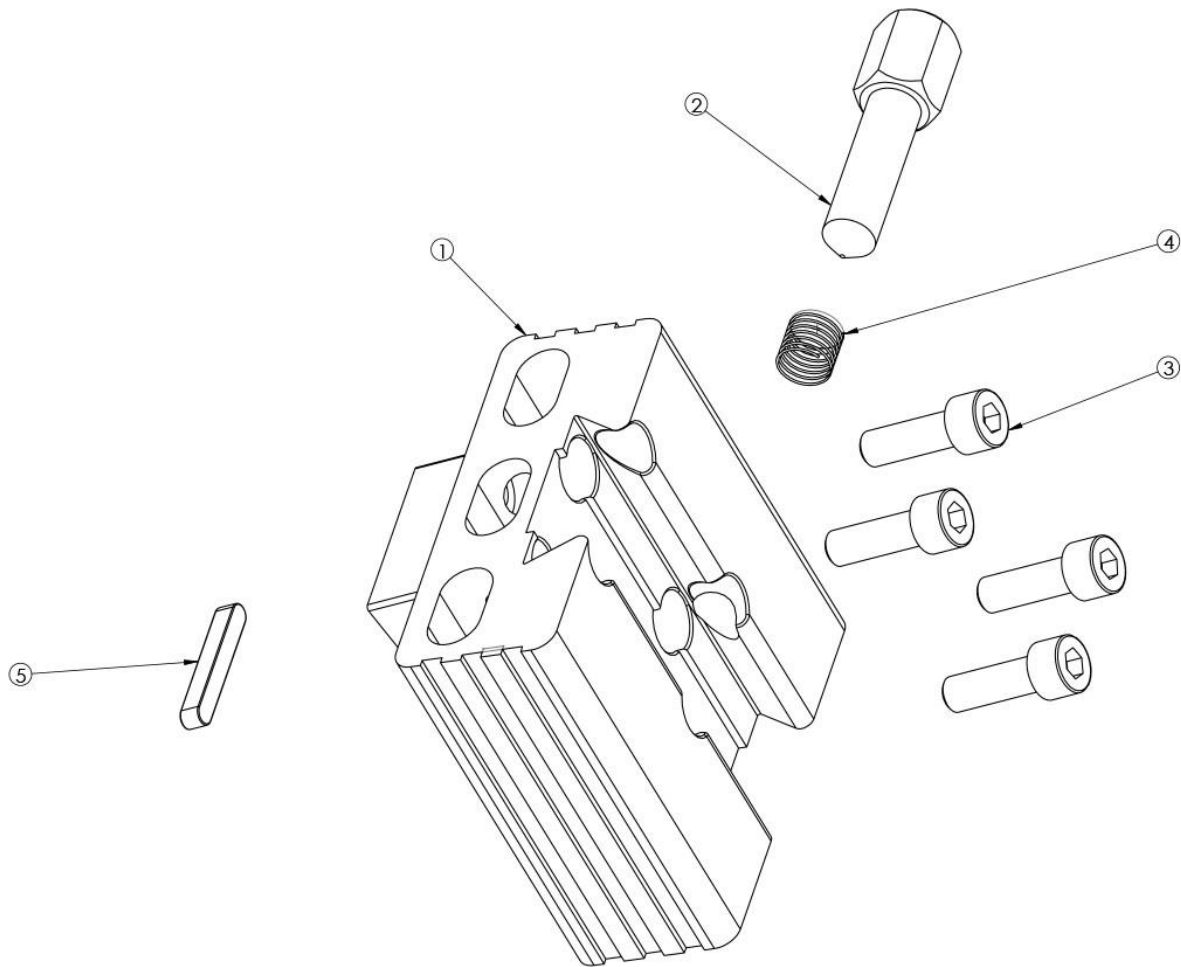
1	C04022508 0288 600 9024	1			Motorgehäuse	Motor housing	Carter moteur complet
2	C05010134 0288 600 9005	1			Stator	Stator	Stator
3	C04022509 B800266	1			Kugellagerausgleichs-scheibe	Wave shape washer	Cale de roulement à billes
4	C02050044 B900001	1			Kugellager	Ball bearing	Roulement rainuré à billes
5	C05010135 0288 600 9004	1			Rotor	Rotor	Rotor
6	CDM000002 B401315	1			Kohlebürste kpl.	Carbon brush complete	Balai de charbon complète
7	C02010324 0267 112 5028	2			Schraube	Screw	Vis
8	C05010153 0288 600 9001	1			Leiterplatte für Softstarter	PCB for soft starter	Carte imprimée
9	C04022510 -	1			Platinenhalter	PCB for soft starter Fixing plate	Support platine
10	C02010312 B901151	2			Schraube	Screw	Vis
11	C02010289 -	1			Gewindestift	Hexagon socket set screws with cone point	Tige filetée
12	C02030015 0267 112 5648	1	ISO 7089	4	Scheibe	Washer	Rondelle
13	C02030062 B800076	1			Sicherungsscheibe	Lock washers with double faced printing	Rondelle d'arrêt
14	C02010305 0288 400 9063	1		M4x6	Schraube	Screw	Vis

## 12.4 Handle



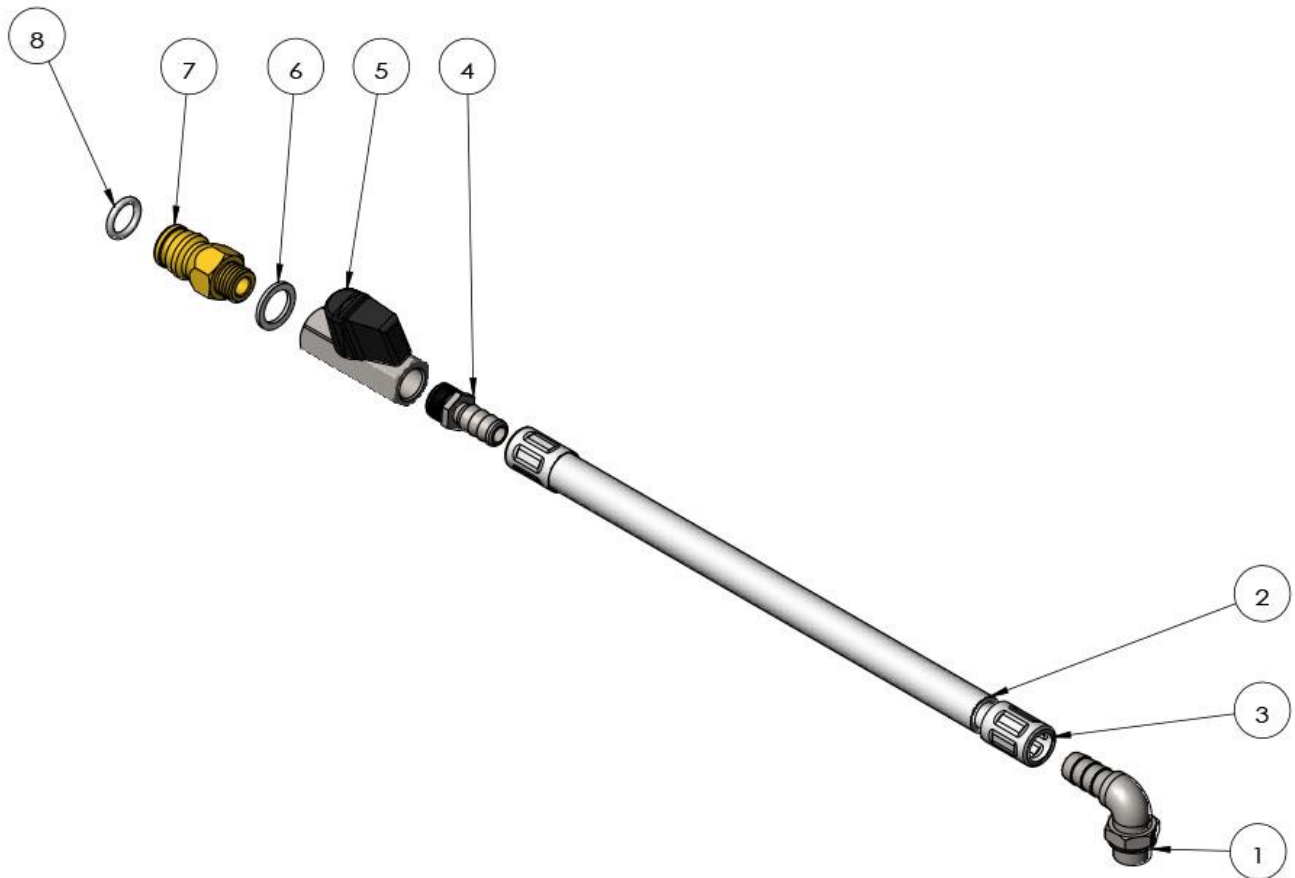
Pos.	Art.-Nr.	Menge Qty.	Norm	Info	Bezeichnung	Description	Désignation
1	C03010279 0288 600 9018	1			Handgriffhälfte rechts	Handle right	Demi poignée droite
2	C03010281 -	4			Lichtleiter	Light guide	Conduit de lumière
3	C05010136 0288 600 9002	1			Schalter	Switch	Interrupteur
4	C03010282 B801222	1			Kabeltülle	Cable sleeve	Manchon de câble
5	C04022523 B801221	1			Kabelklemme	Cable clamp	Collier de câble
6	C02010327 B900699	5			Schraube	Screw	Vis
7	C03010283 B801200	2			Libelle	Water level	Niveau
8	C03010284 B800910	1			Libelle	Water level	Niveau à bulle
9	C04022521 -	4		4x5x8	Hülse	Sleeve	Douille
10	C03010280 0288 600 9019	1			Handgriffhälfte links	Handle left	Demi poignée gauche
11	C02010328 B900698	3			Schraube	Screw	Vis
12	C02010329 -	2			Schraube	Screw	Vis
13	C02010330 -	2			Schraube	Screw	Vis
14	C05010149 0295 150 0063	1			Anschlußleitung mit PRCD	Power cord with PRCD	Câble de raccordement avec PRCD
15	C05020034 -	1			Anschlusskabel	Connecting cable	Câble de raccordement

## 12.5 STS-System



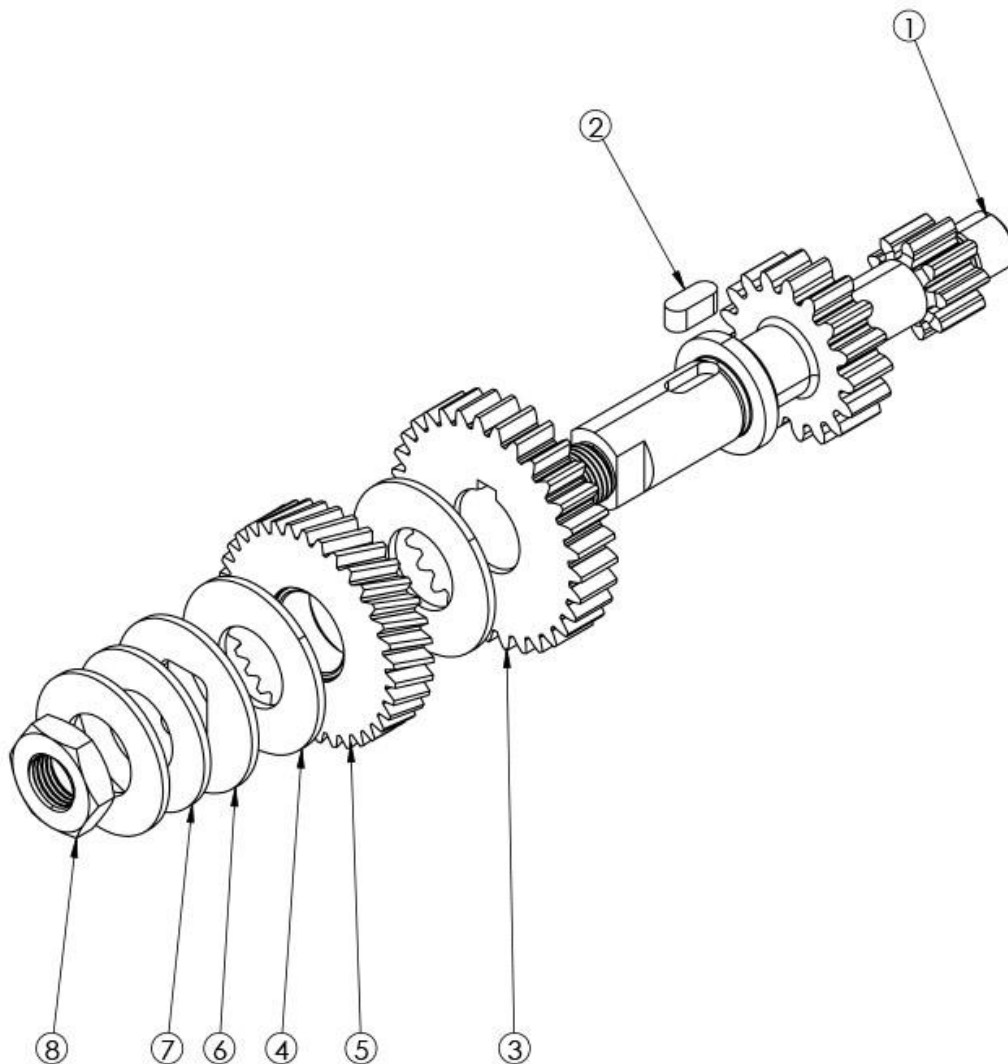
Pos.	Art.-Nr.	Menge Qty.	Norm	Info	Bezeichnung	Description	Désignation
1	C04022525 0288 600 9023	1			Motorplatte	Motor plate	Plaque moteur
2	C04020091 11E02429	1			Klemmschraube	Clamping screw	Vis de blocage
3	C02010066 0295 000 0228	4	ISO 4762	M8x25	Schraube	Screw	Vis
4	C02020025 -	1		M12-1.5xd	Helicoil	Helicoil	Helicoil
5	C02040019 0282 400 9050	1	DIN6885	A5x5x35	Passfeder	Flat key	Clavette

## 12.6 Water connection



Pos.	Art.-Nr.	Menge Qty.	Norm	Info	Bezeichnung	Description	Désignation
1	C04022799 -	1		G1/4" - Ø10	Bogen	Elbow	Coude
2	C03010285 -	1			Schlauch	Reinforced water hose	Tuyau
3	C04022367 -	2			Klemmrohr	Water hose clamping tube	Tube de serrage
4	C04022328 -	1		1/4" - Ø10	Verbinder	Water pipe connector	Connecteur
5	C04022335 0295 000 0326	1		1/4"	Kugelhahn	Water tap	Robinet à rotule
6	C03020128 0295 000 0066	1		Ø13xØ18	Scheibe	Nylon washer	Rondelle
7	C04022527 -	1			Doppelnippel	Water pipe connector	Connecteur
8	C03020126 0267 113 0032	1	DIN 3771	11.2x2.5	O-Ring	O-ring	Joint torique

## 12.7 Gear shaft



Pos.	Art.-Nr.	Menge Qty.	Norm	Info	Bezeichnung	Description	Désignation
1	C04022546 B300888	1			Welle	Spindle	Arbre
2	C02010320 -	1	DIN 6885	A4x4x10	Passfeder	Flat key	Clavette
3	C04022547 B300889	1			Zahnrad 4	Gear 4	Pignon 4
4	C04022548 B400135	2			Bremsscheibe	Brake disc	Disque de freinage
5	CDM000011 B401040	1			Kegelrad kpl.	Bevel gear complete	Roue conique complète
6	C04022549 B400137	1			Scheibe	Washer	Rondelle
7	C02030080 B900018	2	DIN 2093 -A	14.2x1.5x2.15	Tellerfeder	Disc spring washer	Ressort à disques
8	C02020080 B900008	1	DIN 439	M10x1x5	Mutter	Thin nut	Ecrou

